



**Department of Civil, Structural, and Environmental Engineering**

**SEESL** Structural Engineering and Earthquake Simulation Laboratory **SEESL**

212 Ketter Hall, North Campus, Buffalo, NY 14260-4300

Fax: (716) 645-3733 Tel: (716) 645 5400 X 16

<http://www.nees.buffalo.edu>

**Calibration Certificate**

Certificate Number: **UB-2006-06-15-06**

**Instrument Description:** One Channel Load Cell **Location:** SEESL

Test Equipment

**Instrument Identification:**

<u>Type of Instrument:</u> <b>Load Cell</b>	<u>Instrument Name:</u> <b>300Kip Load Cell</b>	<u>Serial Number:</u> <b>1D-LC-10-300-01</b>	<u>Instrument Range:</u>
--	--	---	--------------------------

**Conditioner Identification:**

<u>Model Number</u> <b>2310</b>	<u>Serial Number:</u> <b>072529</b>	<u>Gain:</u> <b>658</b>	<u>Excitation:</u> <b>10 V</b>
------------------------------------	--	----------------------------	-----------------------------------

**Readout Device Identification:**

<u>Model Number</u> <b>Fluke 123 Scopemeter</b> <b>Fluke 8050A Multimeter</b>	<u>Serial Number:</u> <b>DM8680589</b> <b>4237154</b>	<u>Channel:</u> <b>NA</b> <b>NA</b>
---	---	---

**Calibration Factors:**

<u>Full Scale Output:</u> <b>Ax ± 10 V</b>	<u>Unamplified Full Scale Output</u> <b>15.1 mV/Full Scale</b>	<u>Amplified Output per Eng. Unit:</u> <b>± 30K V/</b>
---	---	---



**Department of Civil, Structural, and Environmental Engineering**

**SEESL Structural Engineering and Earthquake Simulation Laboratory SEESL**

212 Ketter Hall, North Campus, Buffalo, NY 14260-4300

Fax: (716) 645-3733 Tel: (716) 645 5400 X 16

<http://www.nees.buffalo.edu>

Reference Equipment

Reference Instrument Identification:

- |  |  |                                       |  |
|--|--|---------------------------------------|--|
| 1. <u>Type of Instrument:</u><br><b>Load cells</b>   | <u>Instrument Name:</u><br><b>ALD-Comp-200Kip</b>  | <u>Serial Number:</u><br><b>A,B,C</b> | <u>Instrument Range:</u><br><b>200K</b>    |
| <u>Calibration Trace:</u><br><b>ASTM Method E74</b>  | <u>Certificate Number:</u>                         | <u>Cal. Date:</u>                     | <u>Cal. Exp. Date:</u>                     |
| 2. <u>Type of Instrument:</u>  | <u>Instrument Name:</u>                            | <u>Serial Number:</u>                 | <u>Instrument Range:</u>                   |
| <u>Calibration Trace:</u>  | <u>Certificate Number:</u>                         | <u>Cal. Date:</u>                     | <u>Cal. Exp. Date:</u>                     |
| 3. <u>Type of Instrument:</u><br><b>Ref</b>  | <u>Instrument Name:</u>                            | <u>Serial Number:</u>                 | <u>Instrument Range:</u>                   |
| <u>Calibration Trace:</u><br><b>NIST Traceable</b><br><b>NEM-8115: 300k Load Cell</b><br><b>822/2650366-01</b> | <u>Certificate Number:</u><br><b>NMC - 1044276</b> | <u>Cal. Date:</u><br><b>6/14/2006</b> | <u>Cal. Exp. Date:</u><br><b>6/14/2007</b> |

Calibration Factors:

- |                           |                                      |  |
|---------------------------|--------------------------------------|--|
| <u>Full Scale Output:</u> | <u>Unamplified Full Scale Output</u> | <u>Amplified Output per Eng. Unit:</u> |
| 1.                        |                                      |  |
| 2.                        |                                      |  |
| 3.                        |                                      |  |

Reference Lab Information:

- |  |  |  |
|--|--|--|
| 1. <u>Address:</u><br><b>Ketter Hall SEESL</b><br><b>University at Buffalo</b><br><b>Buffalo, NY 14225</b> | <u>Phone/Website:</u><br><b>645-2114</b><br><a href="http://www.nees.buffalo.edu">www.nees.buffalo.edu</a> | <u>Accreditation:</u>                    |
| 2. <u>Address:</u><br><b>Ketter Hall SEESL</b><br><b>University at Buffalo</b><br><b>Buffalo, NY 14225</b> | <u>Phone/Website:</u><br><b>645-2114</b><br><a href="http://www.nees.buffalo.edu">www.nees.buffalo.edu</a> | <u>Accreditation:</u>                    |
| 3. <u>Address:</u><br><b>AL Design Inc.</b><br><b>1411 Military Rd</b><br><b>Buffalo, NY 14225</b>         | <u>Phone/Website:</u><br><b>716-875-6240</b>   | <u>Accreditation:</u><br><b>ASTM E74</b> |



**Department of Civil, Structural, and Environmental Engineering**

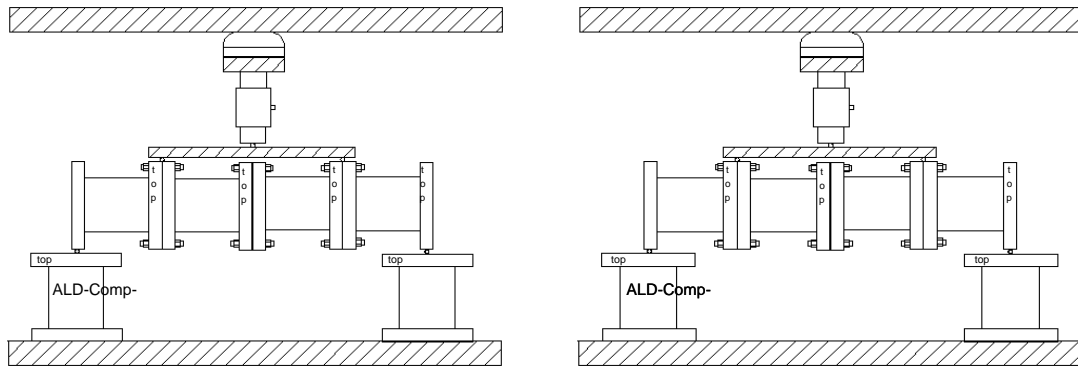
**SEESL Structural Engineering and Earthquake Simulation Laboratory SEESL**

212 Ketter Hall, North Campus, Buffalo, NY 14260-4300

Fax: (716) 645-3733 Tel: (716) 645 5400 X 16

<http://www.nees.buffalo.edu>

Calibration Information





**Department of Civil, Structural, and Environmental Engineering**

---

---

**SEESL** *Structural Engineering and Earthquake Simulation Laboratory* **SEESL**

212 Ketter Hall, North Campus, Buffalo, NY 14260-4300

Fax: (716) 645-3733 Tel: (716) 645-5400 X 16

<http://www.nees.buffalo.edu>



**Department of Civil, Structural, and Environmental Engineering**

---

---

**SEESL** *Structural Engineering and Earthquake Simulation Laboratory* **SEESL**

212 Ketter Hall, North Campus, Buffalo, NY 14260-4300

Fax: (716) 645-3733 Tel: (716) 645-5400 X 16

<http://www.nees.buffalo.edu>

*Structural Engineering*



*Earthquake Simulation*

*Laboratory*



**Department of Civil, Structural, and Environmental Engineering**

**SEESL** *Structural Engineering and Earthquake Simulation Laboratory* **SEESL**

212 Ketter Hall, North Campus, Buffalo, NY 14260-4300

Fax: (716) 645-3733 Tel: (716) 645 5400 X 16

<http://www.nees.buffalo.edu>

Calibration Factors:

Comments:

Ax 300kips = 10 volts

**Personnel Identification:**

Name:

Chris Budden

Company:

UB

Signature:

Date:

6-15-06

**Calibration Period:**

Cal. Date:

6-15-06

Cal. Exp. Date:

6/15/2007

*Structural Engineering*



*Earthquake Simulation*

*Laboratory*