

# SEESL

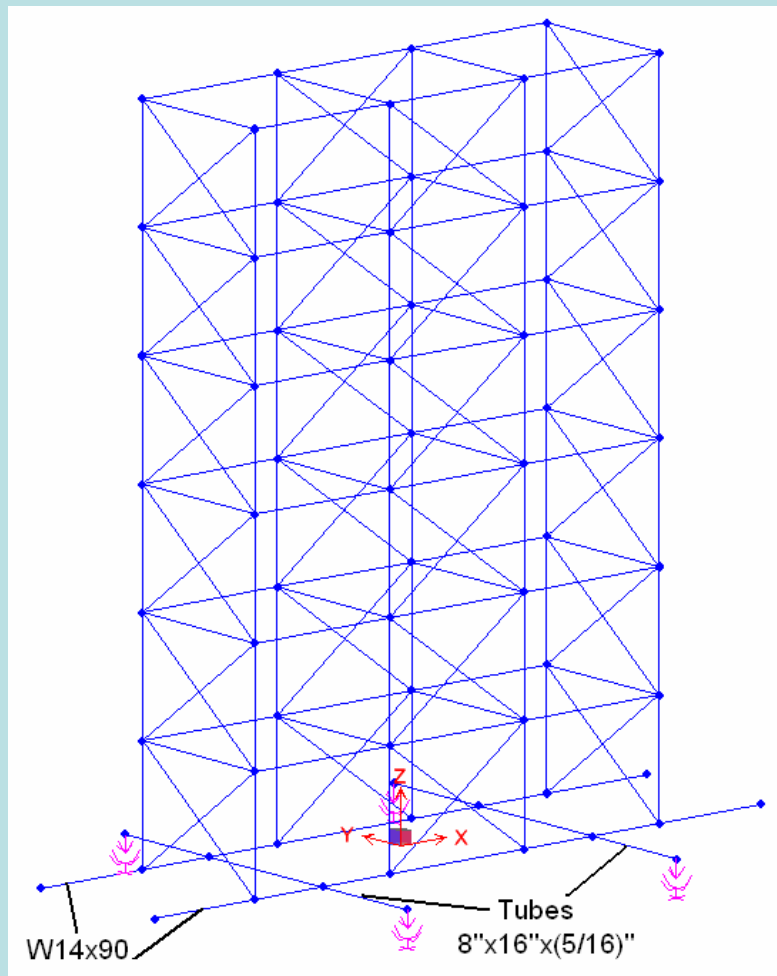
*University at Buffalo's Structural Engineering and  
Earthquake Simulation Laboratory*

*Base Isolated Structure: FPS Double Concave*

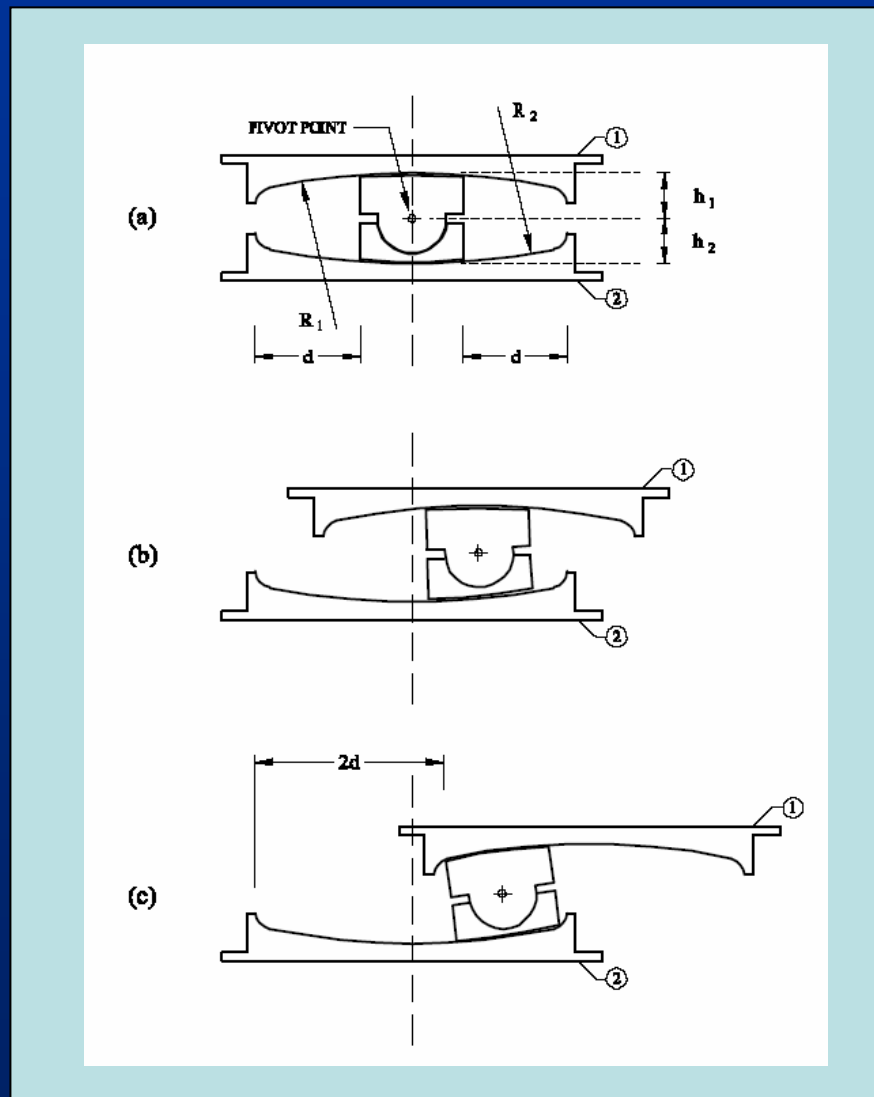
Department of Civil, Structural and Environmental Engineering  
University at Buffalo (SUNY)



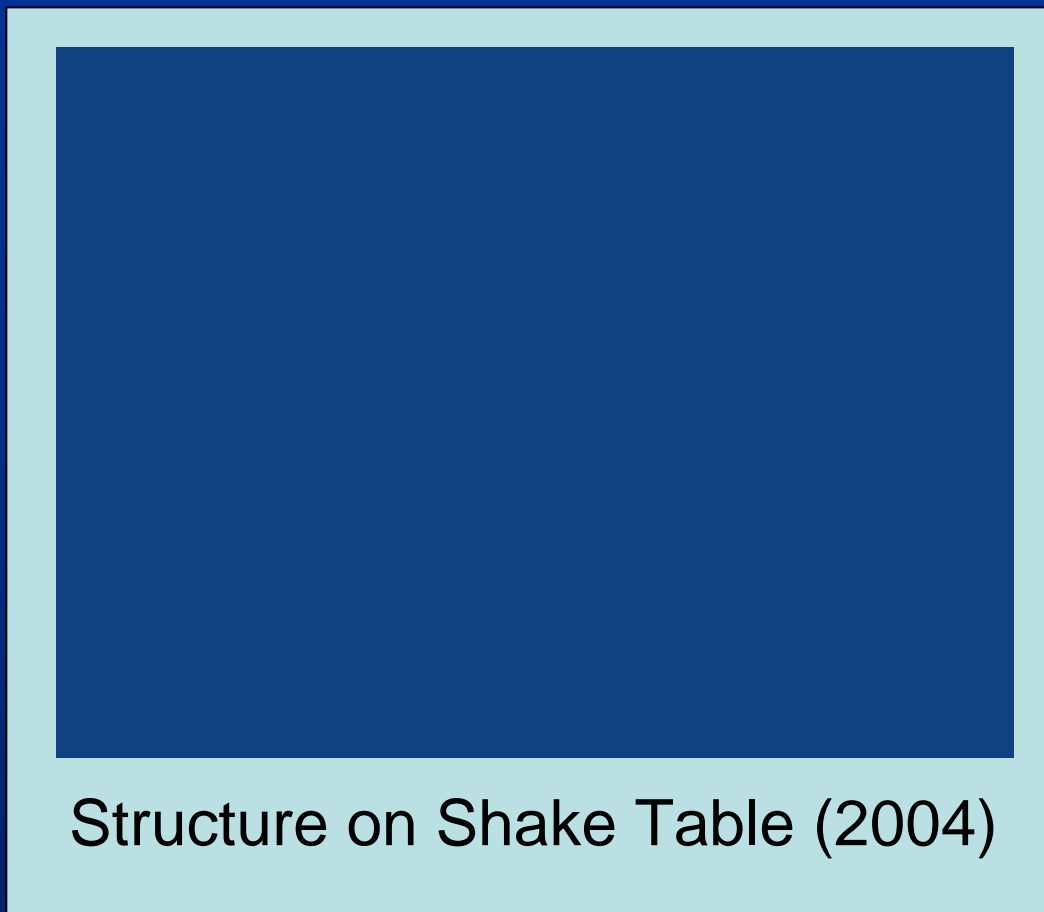
# Base Isolation - Double Concave



# Base Isolation of Tall Towers



# Base Isolation



# Base Isolation of Tall Towers

